

Before you get started...

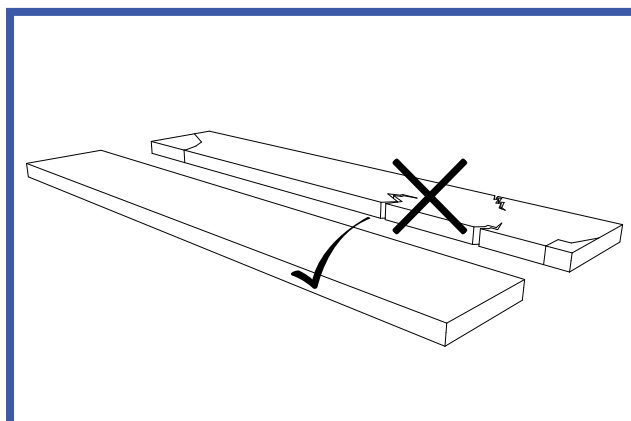
Equipment You Will Need:

- Tape measure
- Spirit level
- Pencil
- Workbench or sawhorse
- Combination square
- Spacers
- Tapping block
- Pull bar
- Rubber mallet
- Handsaw or electric saw
- Drill (for covering pipework)
- Moisture meter
- Beading or skirting boards
- Safety precautions i.e. knee pads, safety goggles, dust masks, ear defenders

1. Check The Packs

We would advise checking each pack to ensure you are happy with the product before proceeding with installation.

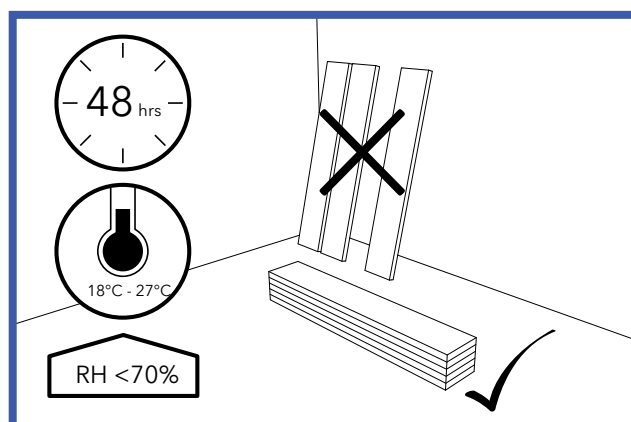
Due to the nature of wooden flooring each plank has its own unique natural variation, when laying your floor you can make the most of this contrast and design the perfect flooring for your home!



2. Allow Packs To Acclimatise

You should allow your engineered wood to acclimatise outside of the pack for 48-72 hours.

Try to ensure the room stays at the same temperature you'd usually have it at so between 18 and 27°C and don't allow the floors to be exposed to the elements. If you're using underfloor heating, you'll need to gradually increase the temperature to get the wood used to the heat. We would strongly advise that you refer to the advice given by your heating supplier on how to do this.

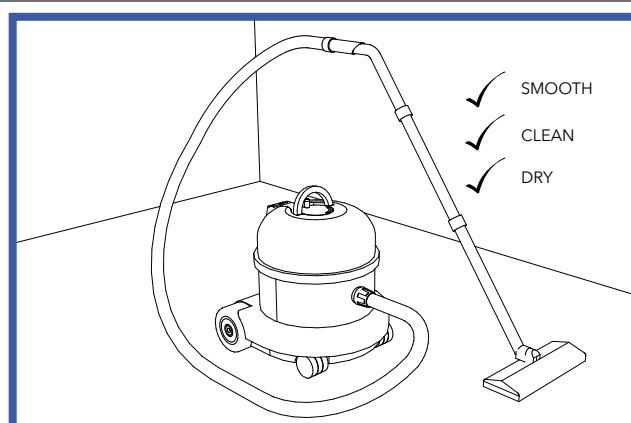


3. Prepare The Subfloor

In preparation of your new flooring you will need to remove your existing floor and ensure that the subfloor is clean and free of any debris.

If you have a concrete subfloor, make sure it's completely dry before installation. A damp-proof membrane should be installed on top of the subfloor to reduce the risk of moisture reaching the engineered boards.

The next step will be to lay down your chosen underlay and secure this to the subfloor with adhesive tape



Before you get started...

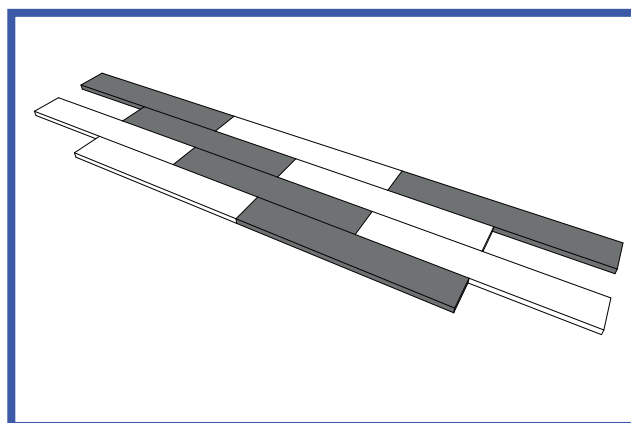
4. Plan The Look

Before beginning to lay your new floor,

take the planks from each pack and look at the natural grains and deviations in shade. Select your favourites and use these planks as a focal point, whilst ensuring to mix and match shades and patterns around these so that you can get the desired look in your rooms. Should there be any planks you don't love as much as others, these would be the perfect choice for cuts, or in areas that will be covered by furniture or rugs.

Consider the direction you would like your planks to lie. As a general rule of thumb, lay the boards against the longest wall for the best look. If the room is square, you may want to consider the room's light flow, or follow on from the entrance.

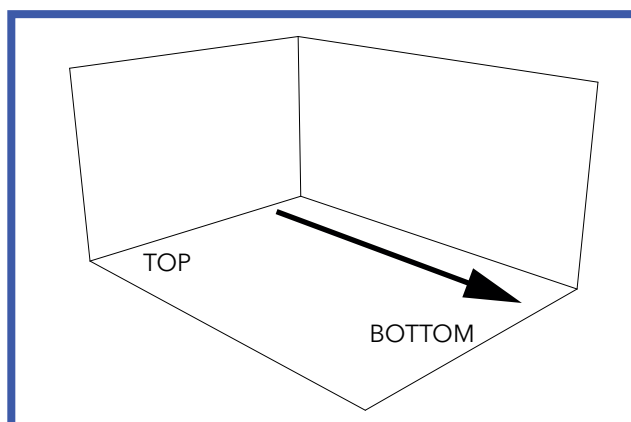
Most fixed length board packs come with a starter plank in the pack. This is the shorter piece of wood that you should use to begin laying the pattern so that the flooring has a staggered effect. For random length plank flooring, mix and match the length so you get a dappled natural look.



5. Installation Tips

It's best to fit your floor as the last thing you do in a renovation project.

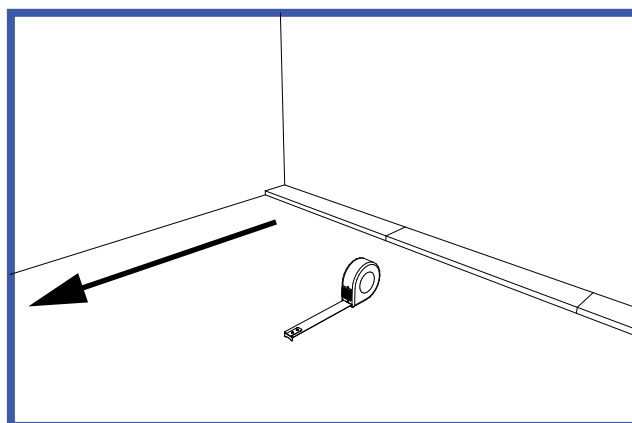
To reduce the risk of damaging your new flooring we would strongly advise installing your floor as the last step in your renovation, work your way from the top of the room to the bottom. Always fit the floor after units have been installed, this will make sure the floor does not buckle under the weight of the units.



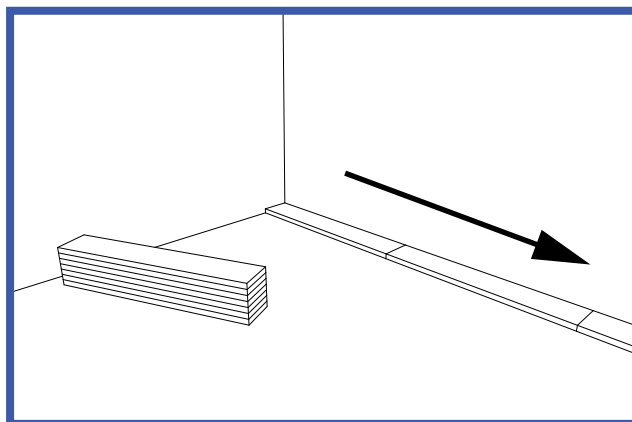
Installation Guide - Floating Method

Step 1.

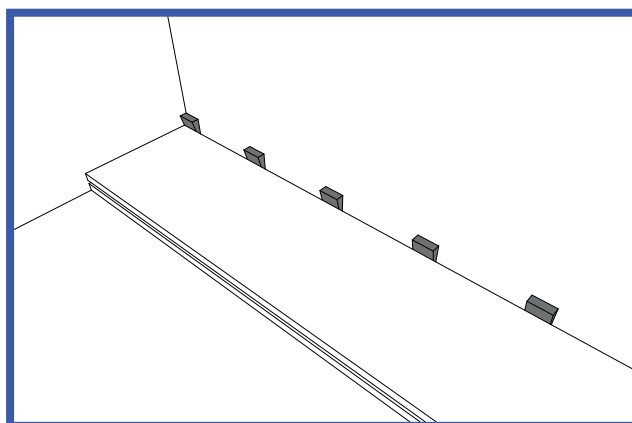
Before laying the boards, measure the width of the final row. You can do this by dividing the total width of the room by the width of an individual board. This will allow you to cut down the first row of boards to ensure the final row is at least 60mm wide.

**Step 2.**

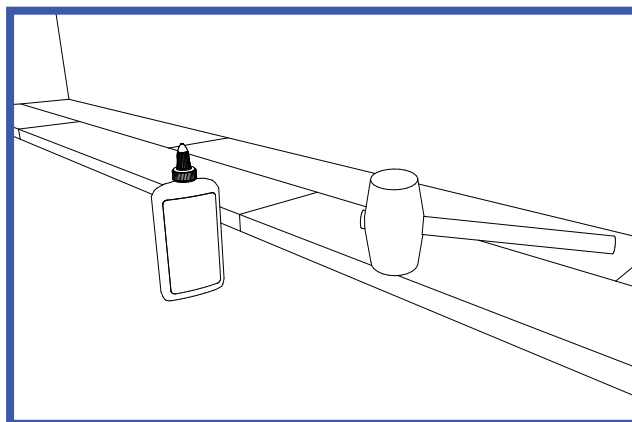
You can then lay the first plank in the corner of the longest wall with the tongue side of the plank facing the wall. Make sure this row is perfectly straight as this will set the direction for the rest of the floor.

**Step 3.**

Place spacers between the first row and the walls to make an expansion gap of 10-12mm. Expansion gaps are important for seasonal changes where the wood may expand or contract (this is usually more of an issue with solid wood products).

**Step 4.**

The tongue & groove joining method can easily be slotted into place or secured with glue in the groove before joining it to the tongue for a more durable finish. A rubber mallet can be used to gently tap the block to ensure the tongue & groove are secure.



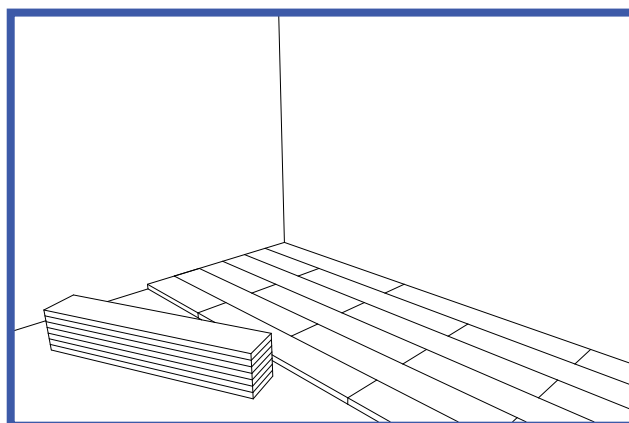
HOW TO FIT YOUR NEW ENGINEERED WOOD FLOOR

PAGE 4

Installation Guide - Floating Method

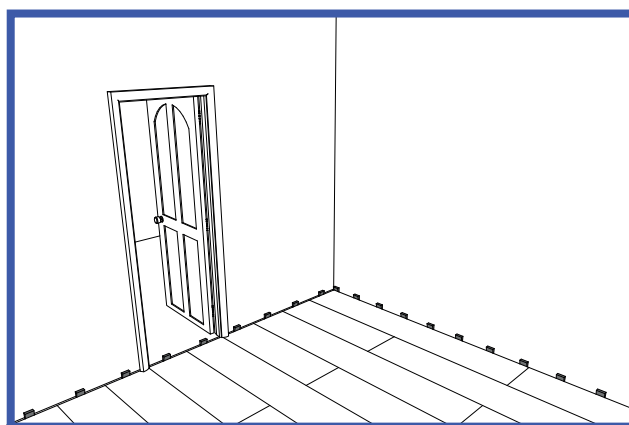
Step 5.

Continue to stagger the joints from row to row to create a natural wood appearance.



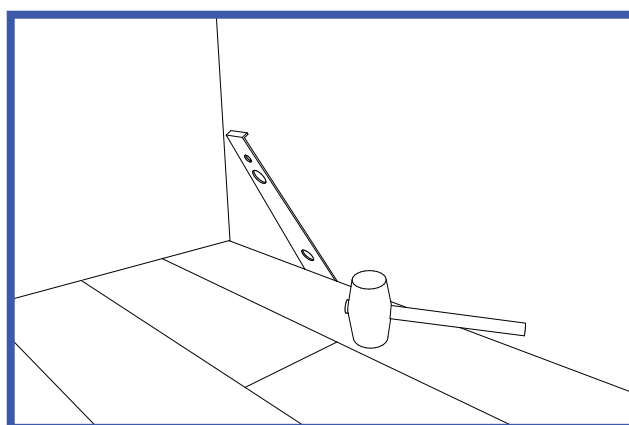
Step 6.

Ensure that you place spacers around the sidewalls and between rooms to allow for any expansion.



Step 7.

The last row of flooring may be slightly tricky to install, but a pull bar and rubber mallet can help to create a tight and secure fit.



FINISHING TOUCHES

- If you are fitting your engineered wood around pipes, first mark the position of the pipe in the board you're using with a pencil. Then carefully drill a hole in this position and make two angled cuts with a saw. These cuts should form a wedge from the edge of the board to the hole which can then be removed. Fit the board around the pipe and then reattach the wedge with glue behind the pipe so the plank looks intact.
- You can then use matching scotia beading and doorbars to cover expansion gaps and blend the new floors in with your existing walls and joining rooms, creating a professional and seamless finish.
- Any spare planks or cuttings should be kept if possible in case any repairs are needed to be made in the future.