

HOW TO FIT YOUR NEW HERRINGBONE FLOOR

PAGE 1

Before you get started...

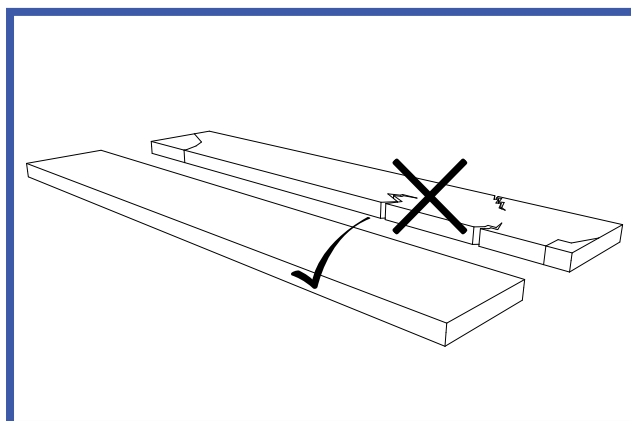
Equipment You Will Need:

- Tape measure
- Spirit level
- Pencil
- Workbench or sawhorse
- Combination square
- Spacers
- Tapping block
- Pull bar
- Rubber mallet
- Handsaw or electric saw
- Drill (for covering pipework)
- Moisture meter
- Beading or skirting boards
- Safety precautions i.e. knee pads, safety goggles, dust masks, ear defenders

1. Check The Packs

We would advise checking each pack to ensure you are happy with the product before proceeding with installation.

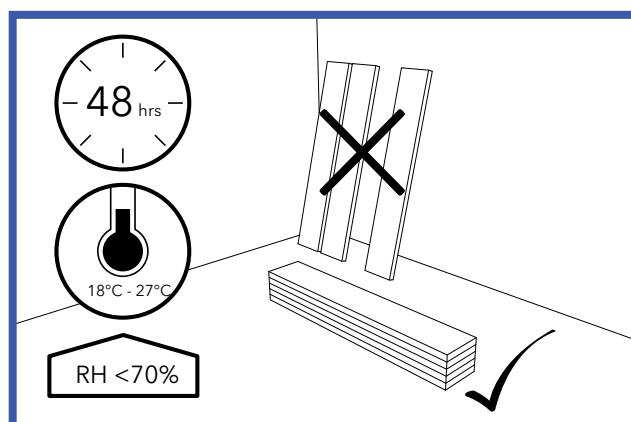
Due to the nature of wooden flooring each plank has its own unique natural variation, when laying your floor you can make the most of this contrast and design the perfect flooring for your home!



2. Allow Packs To Acclimatise

You should allow your engineered wood to acclimatise outside of the pack for 48-72 hours.

Try to ensure the room stays at the same temperature you'd usually have it at so between 18 and 27°C and don't allow the floors to be exposed to the elements. If you're using underfloor heating, you'll need to gradually increase the temperature to get the wood used to the heat. We would strongly advise that you refer to the advice given by your heating supplier on how to do this.

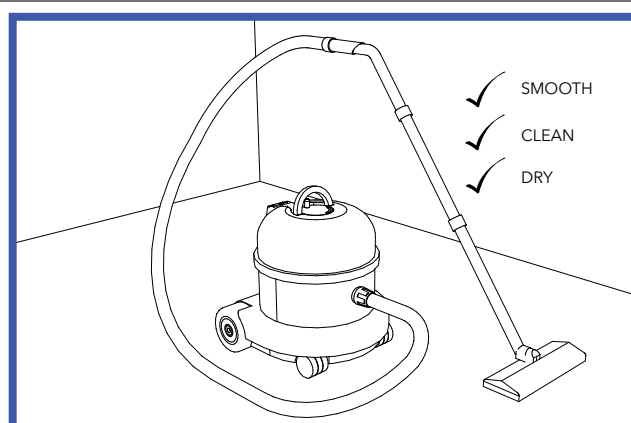


3. Prepare The Subfloor

In preparation of your new flooring you will need to remove your existing floor and ensure that the subfloor is clean and free of any debris.

If you have a concrete subfloor, make sure it's completely dry before installation. A damp-proof membrane should be installed on top of the subfloor to reduce the risk of moisture reaching the engineered boards.

The next step will be to lay down your chosen underlay and secure this to the subfloor with adhesive tape



HOW TO FIT YOUR NEW HERRINGBONE FLOOR

PAGE 2

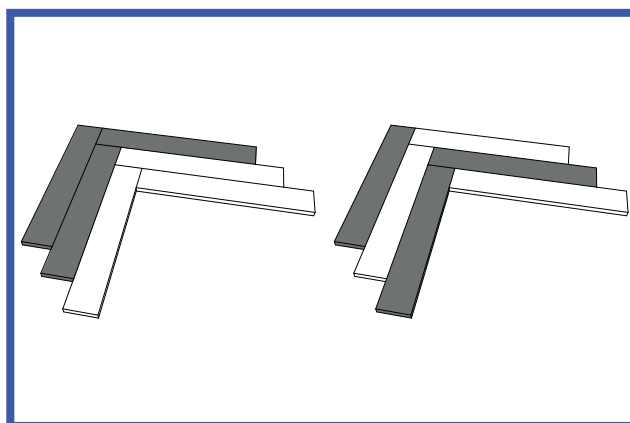
Before you get started...

4. Plan The Look

Think about how you want your herringbone floor to look.

Remove the planks from the pack and look at the natural grooves and variations in the shade. Choose your favourites and use these planks as a focal point. Mix and match shades and patterns around these so that you can get a natural look that you're happy with.

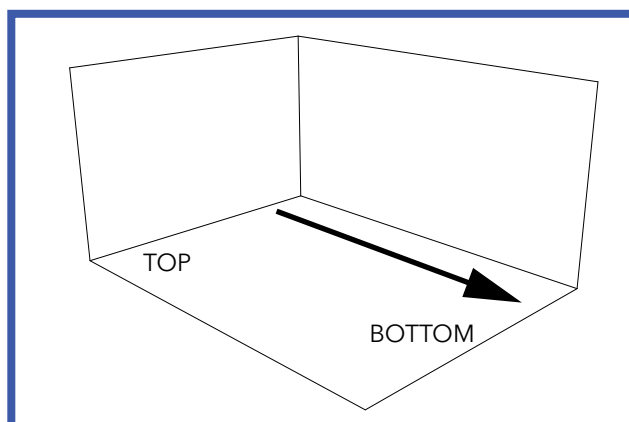
If there are any planks that you don't like as much you could set these aside to use for cuts around the edges, or in areas that will be covered by furniture or rugs so they are less visible.



5. Installation Tips

It's best to fit your floor as the last thing you do in a renovation project.

To reduce the risk of damaging your new flooring we would strongly advise installing your floor as the last step in your renovation, work your way from the top of the room to the bottom. Always fit the floor after units have been installed, this will make sure the floor does not buckle under the weight of the units.



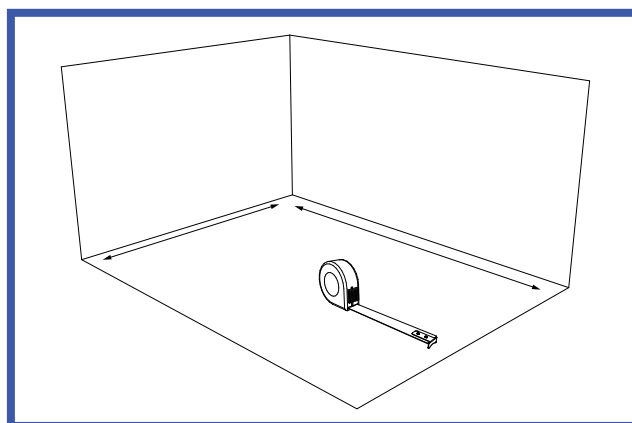
HOW TO FIT YOUR NEW HERRINGBONE FLOOR

PAGE 3

Installation Guide - Floating Method

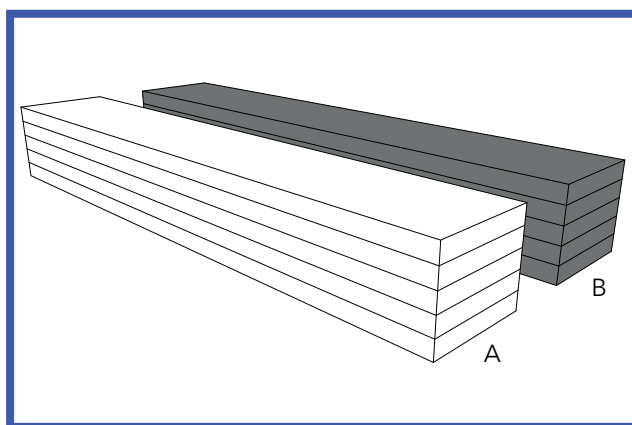
Step 1.

Begin by measuring the longest wall in the room and divide the length by two to find the centerline. Chalk can be used to create a line to mark this out for you. The first strip of planks you install will be aligned to this centerline.



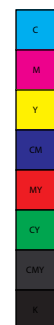
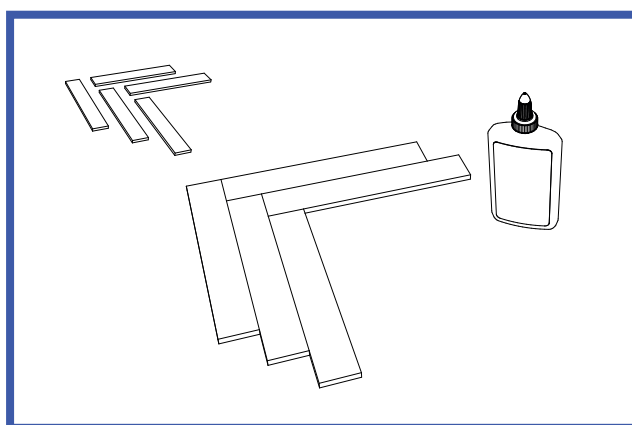
Step 2.

Separate the A and B planks into two piles for ease. One strip of planks refers to an A and a B plank connected together.



Step 3.

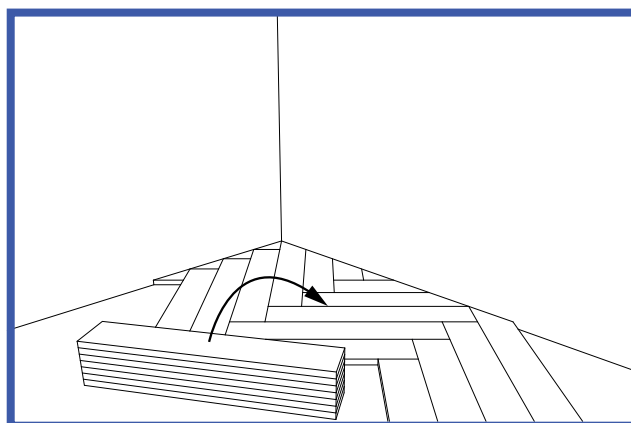
Align the planks so that the highest point of the entire strip is on the centerline. The pattern may look as though it is slightly to the right of the centerline, however this will look more professional once you've added further strips. We would advise gluing the first row of planks for a more durable and secure finish.



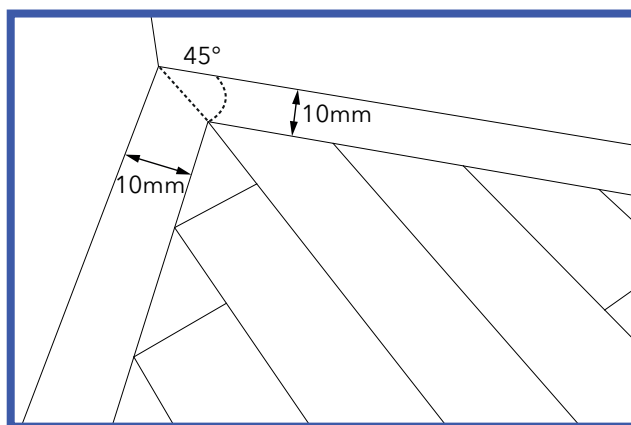
Installation Guide - Floating Method

Step 4.

Begin laying the planks in your chosen herringbone pattern. Lay the planks by inserting the tongue of one plank into the groove of the next, a quick and easy method of installation. The tongue & groove joining method can easily be slotted into place or secured with glue in the groove before joining it to the tongue for a more durable finish. After the first strip is complete, make sure to check all measurements and then continue to fill out the remaining space.

**Step 5.**

Once you have laid all of the full planks, you'll need to measure and cut the planks to fill in the pattern around the edges. Make sure to leave an expansion gap at the walls using spacers to account for any minor movement and expansion after installation. If you are placing smaller pieces around the edges of the room then a little glue can help secure these in place.

**FINISHING TOUCHES**

- If you are fitting your new wood flooring around pipes, first mark the position of the pipe in the board with a pencil. Then carefully drill a hole in this position and make two angled cuts with a saw. These cuts should form a wedge from the edge of the board to the hole which can then be removed. Fit the board around the pipe and then reattach the wedge with a small amount of glue behind the pipe so the plank looks intact.
- You can use matching scotia beading and doorbars to cover any expansion gaps and blend your new floor in with your existing walls and joining rooms, creating a professional and seamless finish.
- If possible we would always advise keeping any spare planks or cuttings in case any repairs are needed to be made in the future.
- If the expansion gap has been left too large and the skirting board or scotia doesn't cover it, you can use spare floorboards to cut strips using a hand saw and glue these strips into place.