

Before you get started...

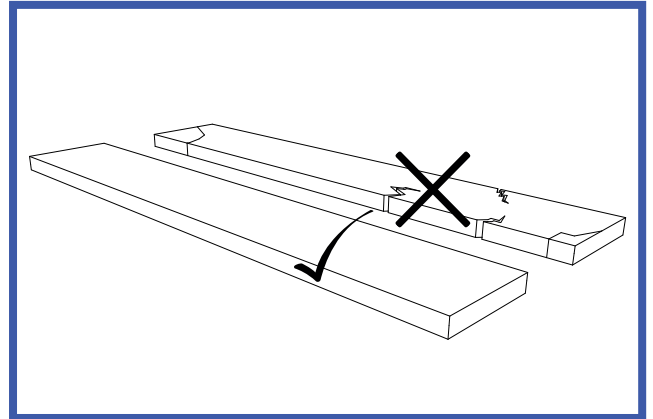
Equipment You Will Need:

- Pencil, bracket, folding ruler
- Circular or compass saw or laminate cutter
- Moisture metre (recommended) & spirit level (recommended) for subfloor
- Spacers, fitting wedges, pull bar, tapping block, spatula
- DPM or Underlay with DPM, insulating material, cutter knife
- Laminate, skirting boards, transition profiles
- Knee protector, ear defenders, goggles, face mask

1. Check The Packs

We would advise checking each pack to ensure you are happy with the product before proceeding with the installation.

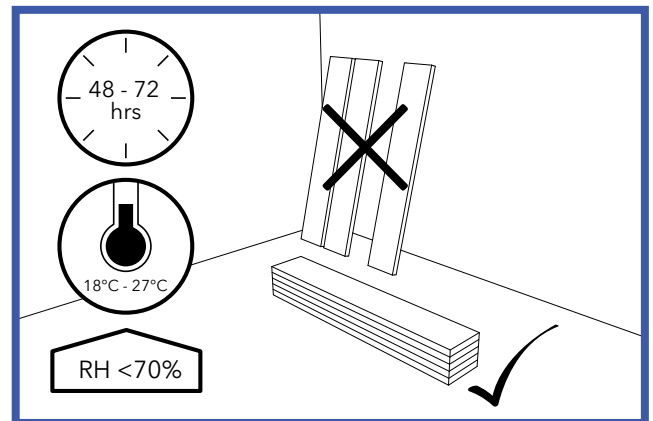
In every pack of laminate, each plank will have its own unique natural variation, when laying your floor you can make the most of this contrast and design the perfect flooring for your home!



2. Allow Packs To Acclimatise

You should allow your laminate floor to acclimatise outside of the pack for 48-72 hours.

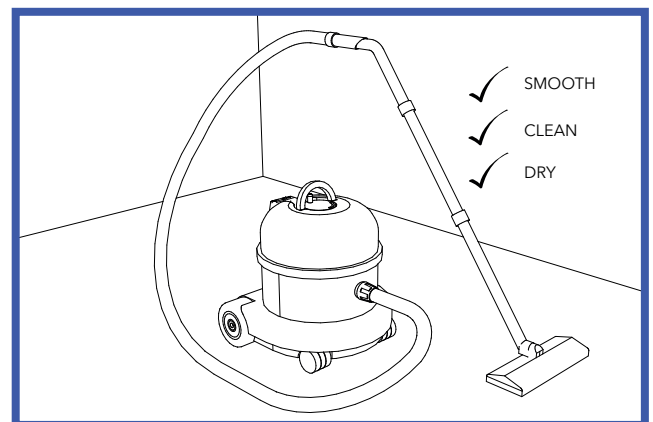
Try to ensure the room stays between 18 and 27°C and don't allow the floors to be exposed to the elements. If you're using underfloor heating, you'll need the heat off for 24 hours before, during, and 24 hours after installation. Once the flooring has been installed gradually increase the temperature to get the laminate used to the heat. We would strongly advise that you refer to the advice given by your heating supplier on how to do this.



3. Prepare The Subfloor

In preparation for your new flooring, you will need to remove your existing floor and ensure that the subfloor is clean and free of any debris or loose nails.

If you have a concrete subfloor, make sure it's completely dry before installation, a moisture measure is a helpful tool to monitor the levels of moisture in your subfloor. A damp-proof membrane (DPM) or an underlay including DPM is recommended to be installed on top of a concrete subfloor to reduce the risk of moisture reaching the laminate boards.



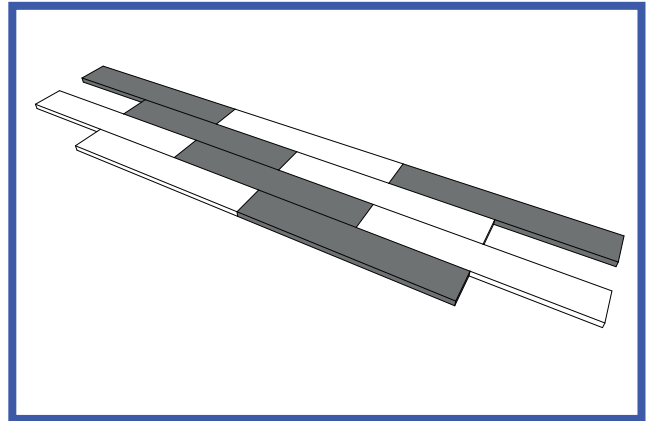
Before you get started...

4. Plan The Look

Think about how you want your new floor to look.

Take the planks from each pack and look at the natural grains and deviations in shade. Select your favourites and use these planks as a focal point, whilst ensuring to mix and match shades and patterns around these so that you can get the desired look in your rooms. Should there be any planks you don't love as much as others, these would be the perfect choice for cuts, or in areas that will be covered by furniture or rugs.

Consider the direction you would like your planks to lay. As a general rule of thumb, lay the boards against the longest wall for the best look. If the room is square, you may want to consider the room's light flow or follow on from the entrance.

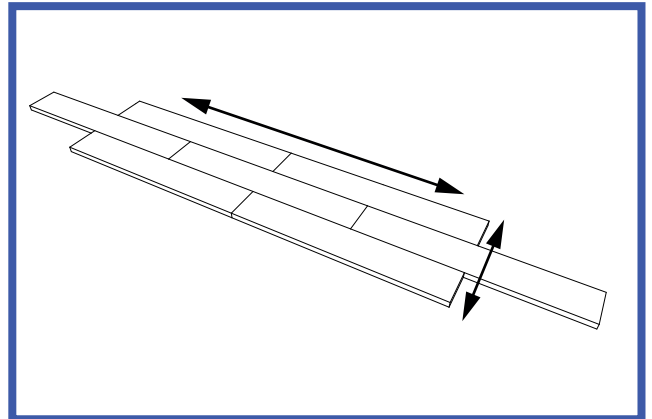


5. Installation Tips

It's best to fit your floor as the last thing you do in a renovation project.

Always fit the floor after units have been installed, this will make sure the floor does not buckle under the weight of the units.

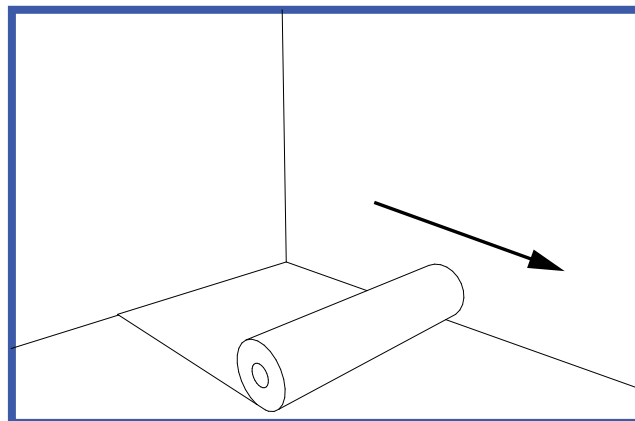
It will be very helpful if you calculate the lengths of the panels for the first two or three rows and already cut them to size. Please also note that the panels in the last row should not be narrower than 5 cm.



Installation Guide

Step 1.

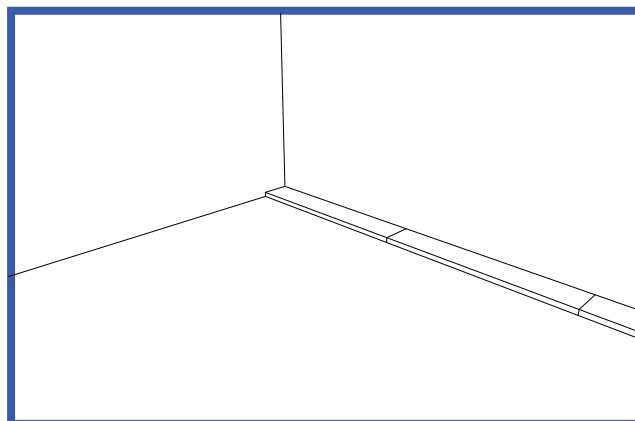
Before you begin to install your laminate you will need to lay down your chosen underlay and secure this to the subfloor and edges with adhesive tape. Always read the manufacturer's instructions when installing your underlay.



Step 2.

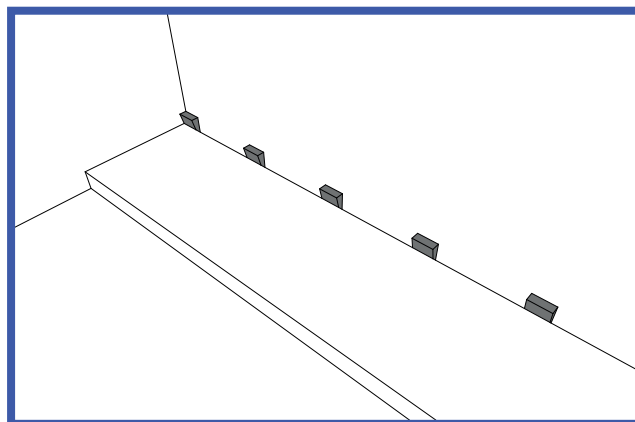
Start in the right corner of the room and lay the panels parallel to the direction of light to create an elongated appearance. Place the panels with the long side against the wall and simply click them together at the join. The last panel in the row will need to be shortened, but it should not be shorter than 40 cm.

It is important to note that all panels should be cut or sawed with the decor side facing down.



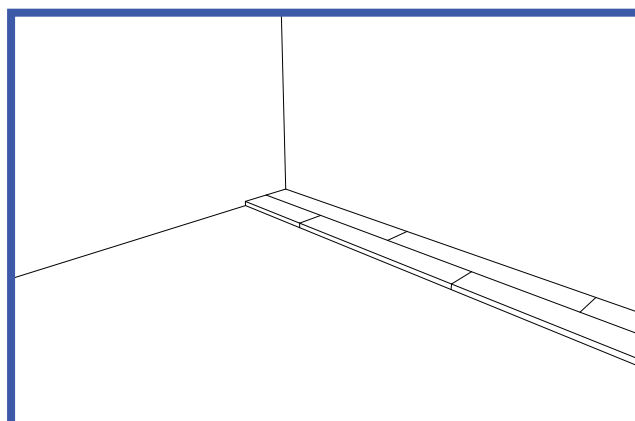
Step 3.

The distance to the wall should be 10mm wide. Use a spacer, such as wooden wedges to help maintain the 10mm distance. Expansion gaps are important for seasonal changes where the wood may expand or contract with moisture and humidity.



Step 4.

You can start the next row with the cut-off piece from the previous laminate row – provided it is at least 40 cm long. This creates an attractive stair pattern. The offset of the joints between the rows must also be at least 40 cm so that the click connection remains stable.

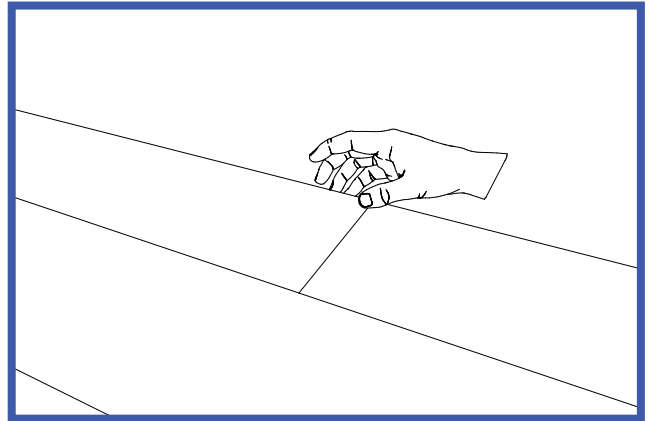


Installation Guide

Step 5.

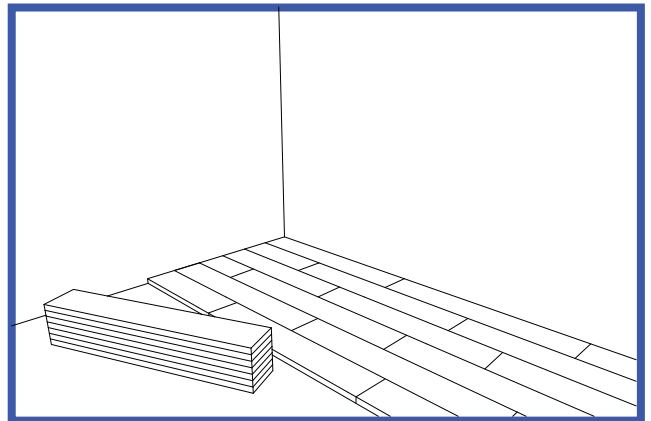
The click fitting method is very simple, place the panel to be laid at an acute angle on the already lying panel and press it down until you hear it click into place.

You can very easily do this by lifting both panels at the joint a little and then pressing on the joint from above with your thumb until it clicks. A rule of thumb for checking if the angle is correct is that the panels can be connected easily without much effort.



Step 6.

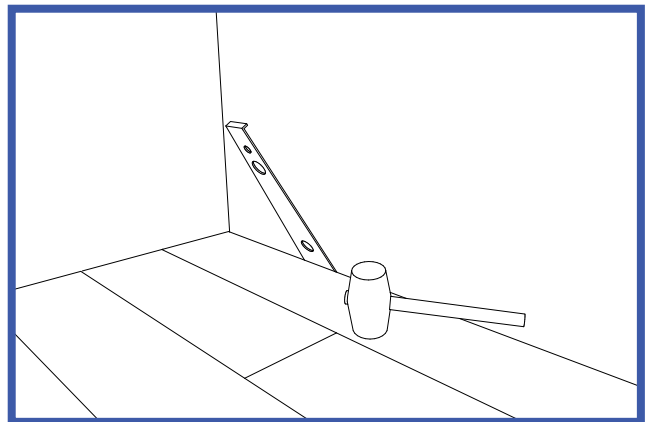
Continue to stagger the joints from row to row to create a natural wood appearance.



Step 7.

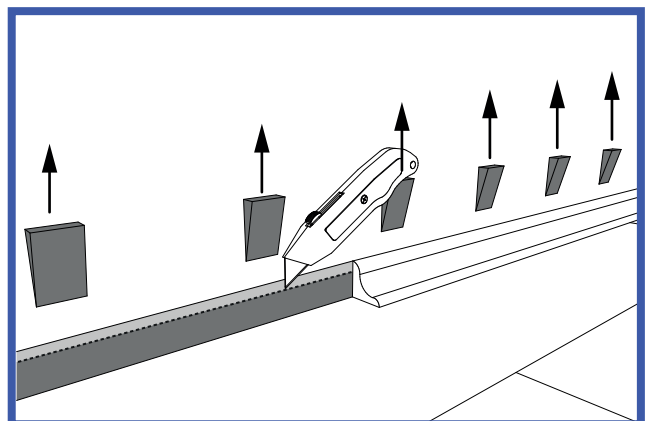
The last laminate row must be adjusted to fit in the remaining gap. Mark on the bottom of the plank the length that is required and cut to size (remember always cut decor side facing down). At this point, the panel should be glued to the neighbouring panel with a water-free adhesive.

The last row of flooring may be slightly tricky to install, but a pull bar and rubber mallet can help to create a tight and secure fit.



Step 8.

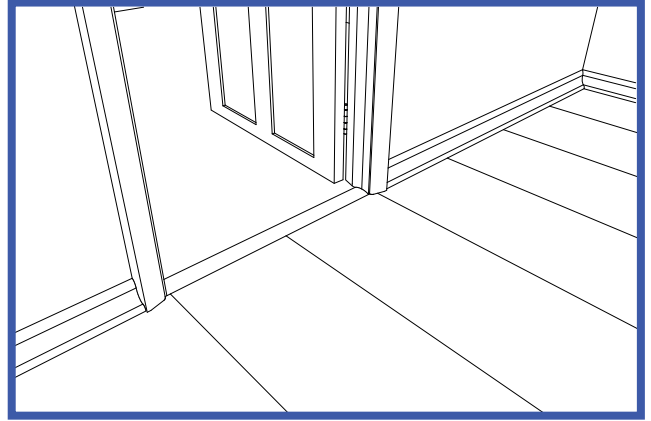
Before attaching the skirting boards, first trim any excess underlay and vapour barrier with a cutter knife so that it does not protrude beyond the boards.



Installation Guide

Step 9.

You can then use matching scotia beading and door bars to cover expansion gaps and blend the new floors in with your existing walls and joining rooms, creating a professional and seamless finish.

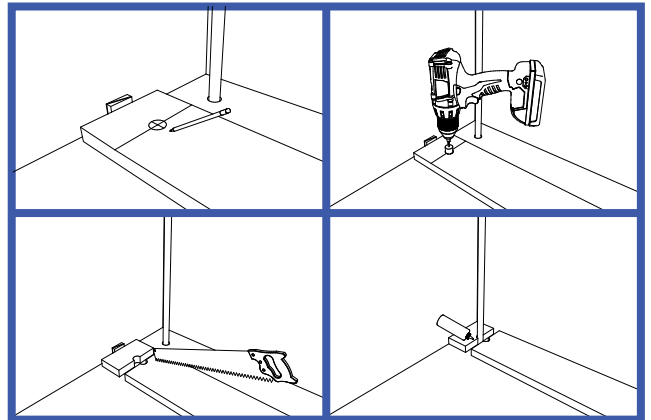


HOW TO FIT YOUR NEW CLIC LAMINATE FLOOR

LAYING CLIC LAMINATE IN SPECIAL PLACES

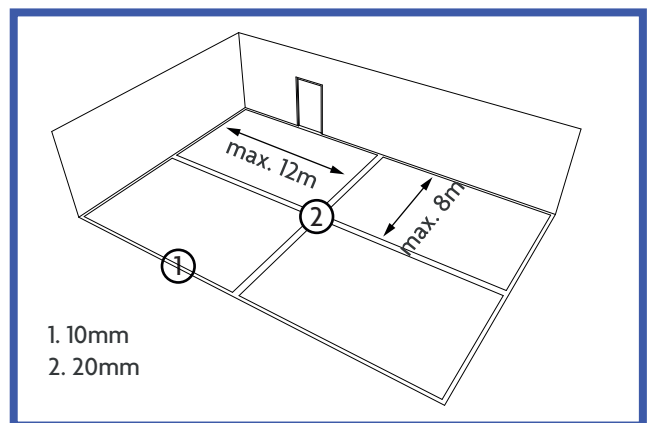
Heating Pipes

If you are fitting your laminate flooring around pipes, first mark the position of the pipe in the board you're using with a pencil. Then carefully drill a hole in this position and make two angled cuts with a saw. These cuts should form a wedge from the edge of the board to the hole which can then be removed. Fit the board around the pipe and then reattach the wedge with D3 glue behind the pipe so the plank looks intact.



Expansion profile for large rooms

In rooms measuring more than 12 m in the longitudinal direction and/or more than 8 m in the transverse direction, an additional expansion profile must be used. This also applies to door openings, room passages, wall projections, and angled rooms.



WHY DOES MY LAMINATE FLOOR CREAK?

If your laminate floor creaks or squeaks when you step on it, it could be because:

- Distances to walls, door frames, heating pipes, and expansion profiles were not observed
- Uneven sub-floor
- Sub-floor consists of old floorboards
- Boards are not correctly connected to each other
- Wrong impact sound insulation